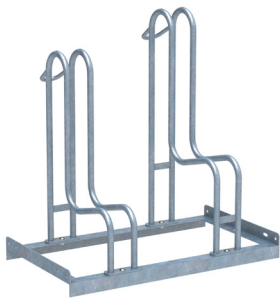
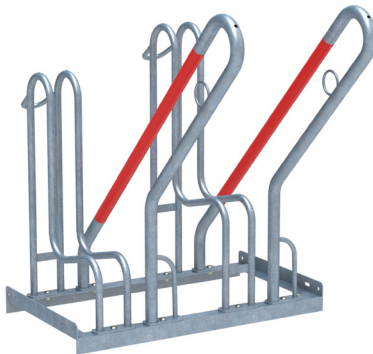




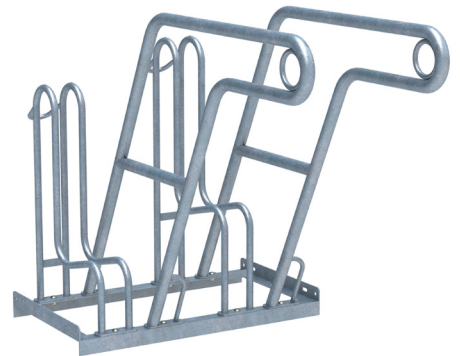
ENHANCED-STABILITY FLOOR BIKE RACK



S02 FLOOR BIKE RACK



S02 + L01 FLOOR BIKE RACK



S02 + L02 FLOOR BIKE RACK



SPACE-SAVING



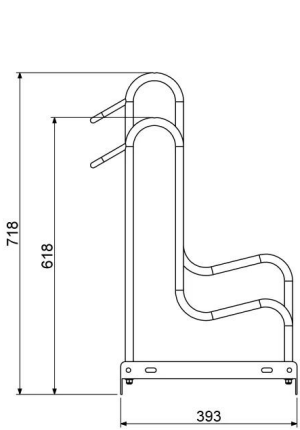
HOT-DIP GALVANISED FINISH



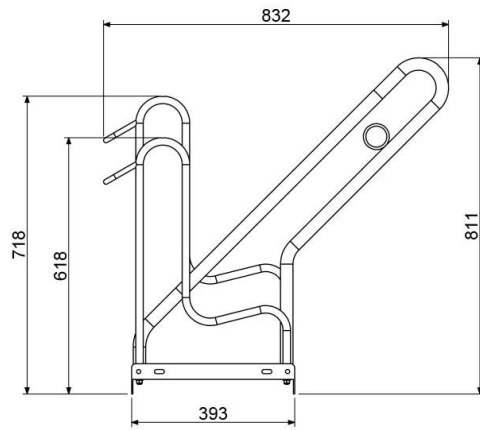
SEAMLESS, STRONG WELD



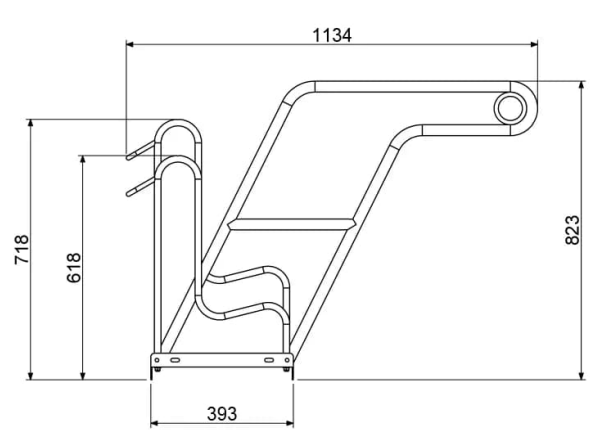
Specifications and dimensions



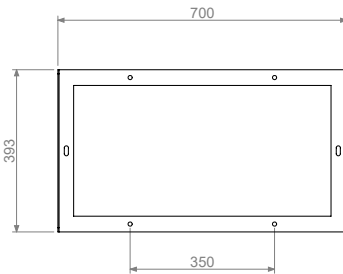
S02 FLOOR BIKE RACK DIMENSIONS



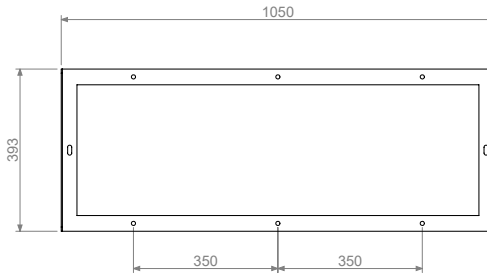
S02+ L01 FLOOR BIKE RACK DIMENSIONS



S02+ L02 FLOOR BIKE RACK DIMENSIONS



700 MM BASE DIMENSIONS



1050 MM BASE DIMENSIONS

| BASES | PARKING SPACES | BIKE SPACING (CENTRE TO CENTRE) | MATERIAL & SURFACE TREATMENT |
|-----------------------------------|----------------|---------------------------------|--|
| 700 mm (27.6") | 2 Bikes | | |
| 1050 mm (41.3") | 3 Bikes | | |
| 700 mm (27.6") + 700 mm (27.6") | 4 Bikes | 350 mm (13.8") | Mild steel & Fully hot-dipped galvanised (after welding) |
| 700 mm (27.6") + 1050 mm (41.3") | 5 Bikes | | |
| 1050 mm (41.3") + 1050 mm (41.3") | 6 Bikes | | |



CONNECT BASE TOGETHER



ANGLE FOR FLOOR FIXING



GROUND SPIKES

Advantages +



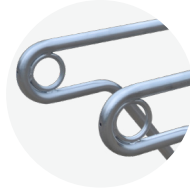
SPACE-SAVING

Low and high hoops save space for bike parking.



HOT-DIP GALVANISED FINISH (MINIMUM 80 MICRONS)

Highly corrosion-resistant treatment that prevents rust.



LOCKABLE OPTIONS

Securely lock bike for extra safety.



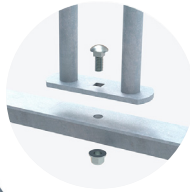
VERSATILE

Works on one or both sides.



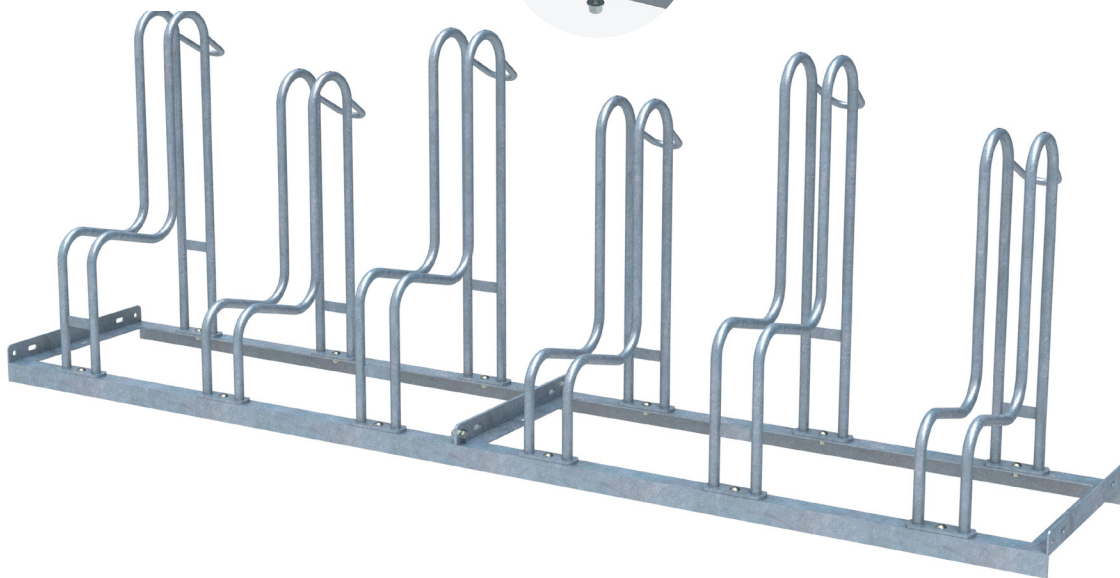
FLEXIBLE BASE OPTIONS

Bases available in multiple lengths (from 2 to 6 bikes or more) and can be joined for larger installations.



EASY INSTALLATION

Can be placed directly on the ground or fixed to asphalt or concrete with bolts.



BEST SELLERS



Headquarters: Hong Kong, China
Production & Operations Centre: Qingdao, China



contact@sinoconcept.com
www.sinoconcept.com