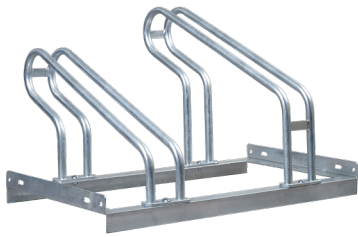
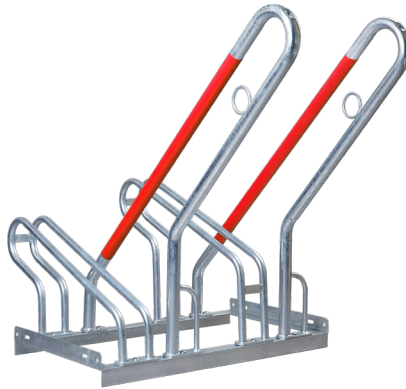




STANDARD FLOOR BIKE RACK



S01 FLOOR BIKE RACK



S01 + L01 FLOOR BIKE RACK



S01 + L02 FLOOR BIKE RACK



SPACE-SAVING



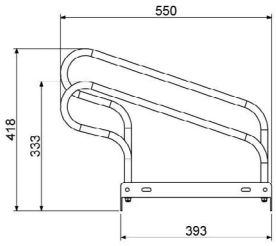
HOT-DIP GALVANISED FINISH



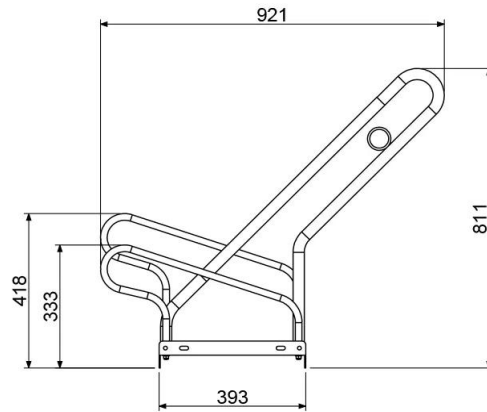
SEAMLESS, STRONG WELD



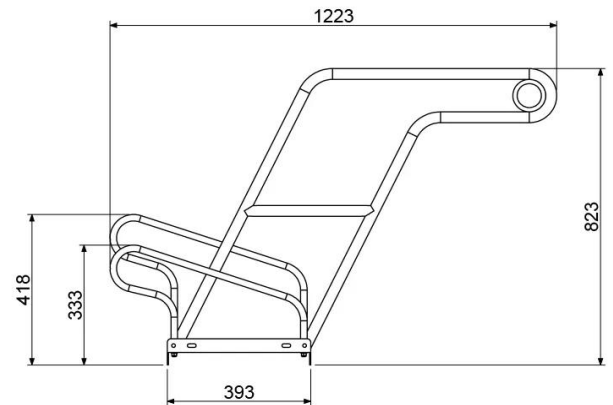
Specifications and dimensions



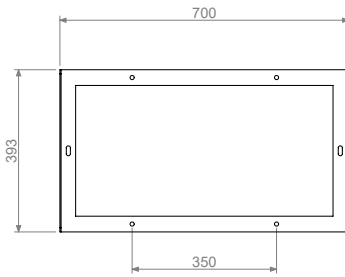
S01 BIKE RACK DIMENSIONS



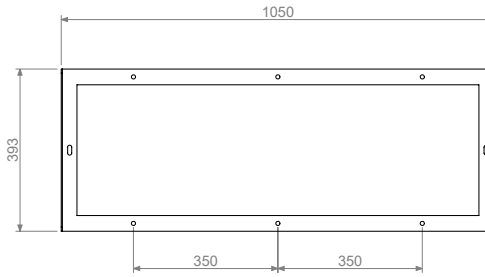
S01+ L01 BIKE RACK DIMENSIONS



S01+ L02 BIKE RACK DIMENSIONS



700 MM BASE DIMENSIONS



1050 MM BASE DIMENSIONS

BASES	PARKING SPACES	BIKE SPACING (CENTRE TO CENTRE)	MATERIAL & SURFACE TREATMENT
700 mm (27.6")	2 Bikes		
1050 mm (41.3")	3 Bikes		
700 mm (27.6") + 700 mm (27.6")	4 Bikes	350 mm (13.8")	Mild steel & Fully hot-dipped galvanised (after welding)
700 mm (27.6") + 1050 mm (41.3")	5 Bikes		
1050 mm (41.3") + 1050 mm (41.3")	6 Bikes		



Headquarters: Hong Kong, China
Production & Operations Centre: Qingdao, China



contact@sinoconcept.com
<https://sinoconcept.com>

Advantages +



SPACE-SAVING

Low and high hoops save space for bike parking.



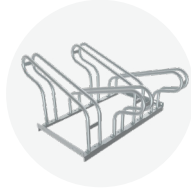
HOT-DIP GALVANISED FINISH (MINIMUM 80 MICRONS)

Highly corrosion-resistant treatment that prevents rust.



LOCKABLE OPTIONS

Securely lock bike frames for extra safety.



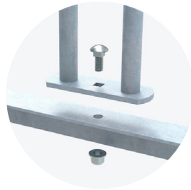
VERSATILE

Works on one or both sides.



FLEXIBLE BASE OPTIONS

Bases available in multiple lengths (from 2 to 6 bikes or more) and can be joined for larger installations.

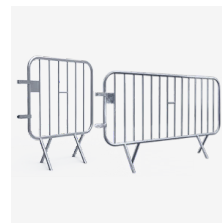


EASY INSTALLATION

Can be placed directly on the ground or fixed to asphalt or concrete with bolts.



BEST SELLERS



Headquarters: Hong Kong, China
Production & Operations Centre: Qingdao, China



contact@sinoconcept.com
<https://sinoconcept.com>